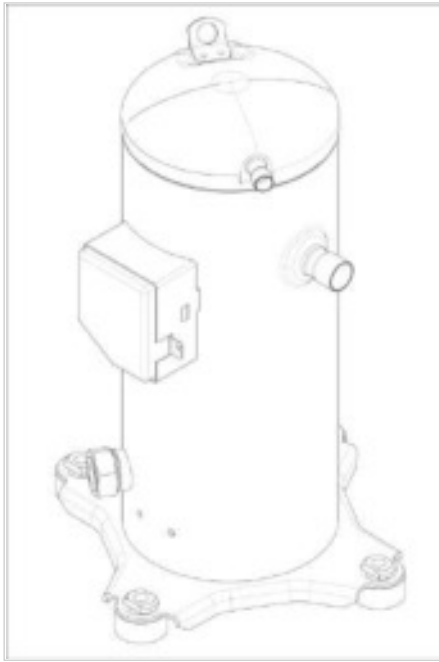


MODEL

SE6015GS-O

embraco




APPROVALS




 **ENGINEERING CODE**
301AO1101AC

 **APPROVED REFRIGERANT**
R-404A

 **POWER SUPPLY**
380 V 50 Hz

 **STANDARD CONDITIONS**
EN12900

 **APPLICATION**
MBP

 **COOLING CAPACITY**
3687 W

 **EFFICIENCY**
1.98 W/W

 **MOTOR TYPE**
SCRL

DATA

General Data

Type	Hermetic Scroll Compressor
Technology Type	On-Off
Displacement (Swept Volume)	5.8 m ³ /h (33.3 cm ³ /rev)
Compressor Cooling	Static
Horse Power	2 hp
Power Supply	380-420 V 50 Hz / 460 V 60 Hz

Electrical Data

Motor type	SCRL
Pole	2
Voltage working range at 50 Hz	342-462 V
Voltage working range at 60 Hz	414-506 V
Maximum Motor Temperature	130 °C
Run Winding Resistance	6.7 Ω at 25° C
Motor insulation class	B
Rated speed	approximately 2900
High Side	3.2 MPa
Low Side	2 MPa
Maximum discharge temperature	125
Pressure release valve opening range	2.76-3.10 MPa

Mechanical Data

Maximum Recommended Refrigerant Charge	2.8 Kg
Oil Type	POE 32
Oil Initial Volume	1.4 L
Oil Recharge Volume	1.25 L
Oil Circulation	<1 %
Weight	30.1 Kg
Free Internal Volume Low	4.1 L
Free Internal Volume High	1 L

Electrical Components

	Description
Motor Protection	Internal Protector

External Characteristics

Base Plate Holes	191x191		
Base Plate Dimensions	239x239		
Height	424 mm		
Diameter	168 mm		
Hanger Tab	1		
Oil Side Glass	1		
Connector	Internal Diameter	Material	Shape
Suction	1 1/4"-12 UNF 2A	Copper plated steel tube	Rotolock
Discharge	3/4"-16 UNF 2A	Copper plated steel tube	Rotolock

PERFORMANCE

Rated Points

Cooling Capacity	Power Input	COP	Rated Load Amps RLA	Locked Rotor Amps LRA	Maximum Operating Current MOC	Sound Power Level
3687 W	1864 W	1.98 W/W	3.2 A	22 A	5.2 A	71 dBA

Test Condition: EN12900: Te -10°C; Tc 45°C; Rg 20°C. No subcooling; Ta 35°C. Data in accordance to EN12900 guideline polynomial curve.

Performance Curve Data - Frequency: 50Hz

Condensing Temperature 35°C

Evaporating Temperature °C	Cooling Capacity W	Power W	Efficiency W/W
-30	1900	1286	1.48
-25	2359	1355	1.74
-20	2892	1426	2.03
-15	3515	1497	2.35
-10	4244	1568	2.71
-5	5094	1638	3.11
0	6083	1706	3.56
5	7224	1772	4.08
10	8536	1836	4.65

Test Condition: EN12900, Static, MBP. Data in accordance to EN12900 guideline polynomial curve.

Condensing Temperature 45°C

Evaporating Temperature °C	Cooling Capacity W	Power W	Efficiency W/W
-30	1642	1526	1.08
-25	2060	1613	1.28
-20	2529	1699	1.49
-15	3066	1783	1.72
-10	3687	1864	1.98
-5	4407	1942	2.27
0	5243	2017	2.6
5	6209	2086	2.98
10	7323	2150	3.41

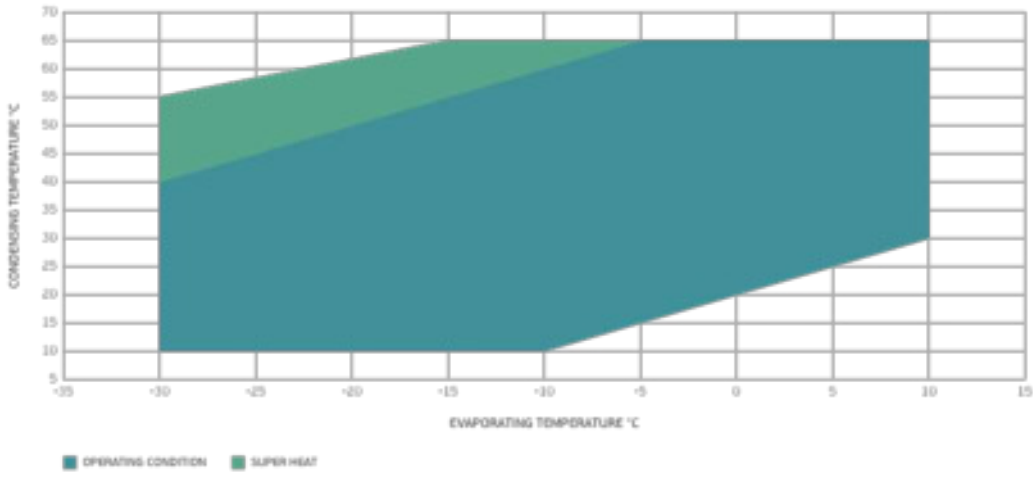
Test Condition: EN12900, Static, MBP. Data in accordance to EN12900 guideline polynomial curve.

Condensing Temperature 55°C

Evaporating Temperature °C	Cooling Capacity W	Power W	Efficiency W/W
-30	1314	1816	0.72
-25	1690	1923	0.88
-20	2096	2028	1.03
-15	2547	2128	1.2
-10	3060	2223	1.38
-5	3649	2313	1.58
0	4332	2396	1.81
5	5123	2472	2.07
10	6039	2540	2.38

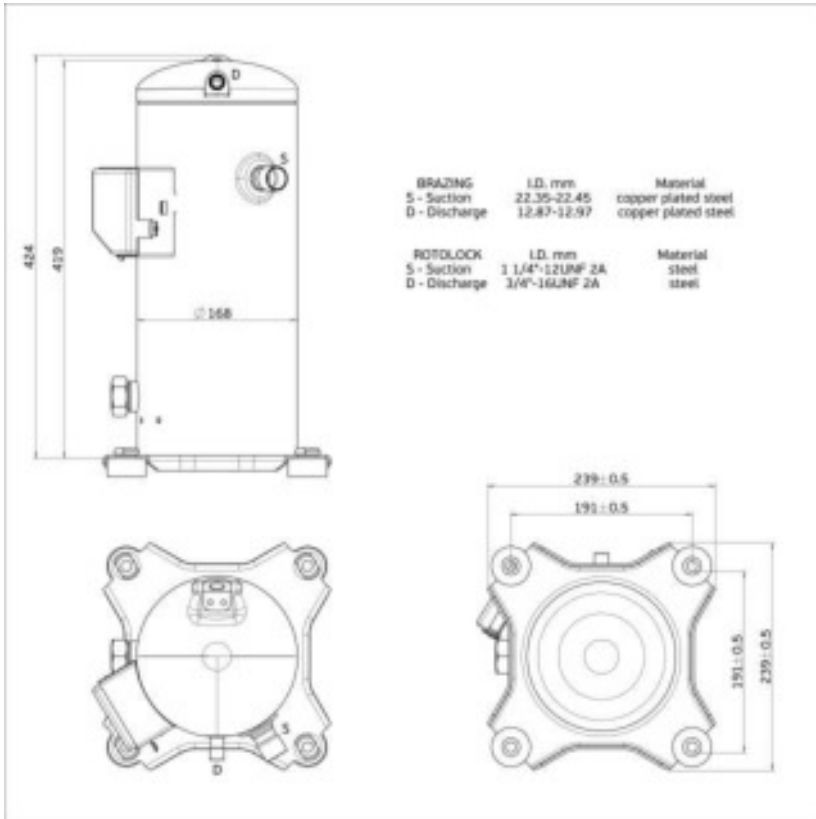
Test Condition: EN12900, Static, MBP. Data in accordance to EN12900 guideline polynomial curve.

Operating Envelope



The envelope presented is related to R404A/R452A. For others, please contact our technical support.

External Dimensions



Wiring Diagram

